

# FLAT PANEL SINGLE ARM ARTICULATING MOUNT (VESA)

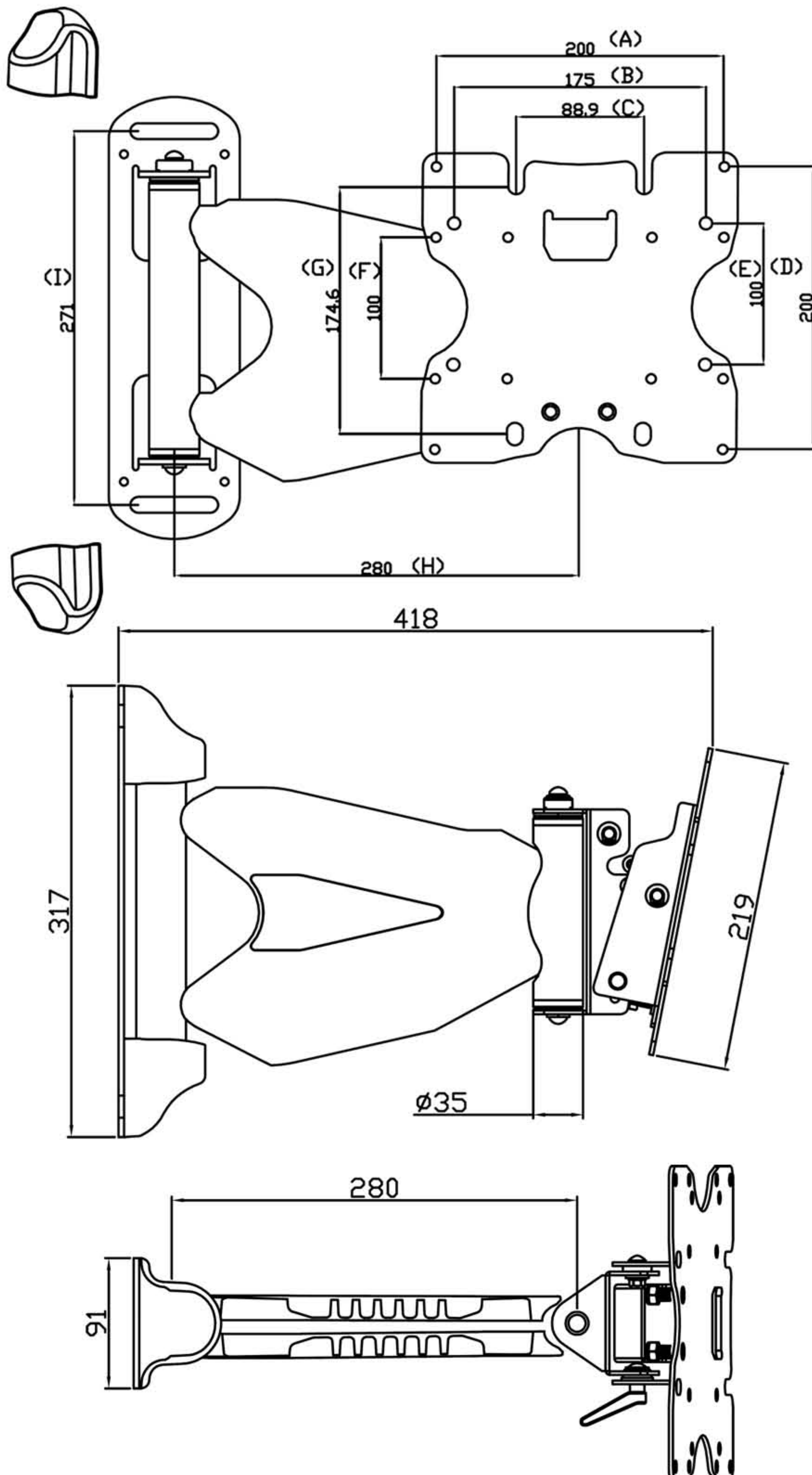
## SPECIFICATIONS

- Compatibility : 24" to 37" Flat Panel
- Maximum load : 50 KG (121 lbs)
- VESA : 100/200 & 200x100
- Mounting Profile : 100mm (3.94") from Wall
- Tilting Angle : -5 to + 20 degree
- Color : Black
- Qty / Carton : 2 pcs

## KEY FEATURES

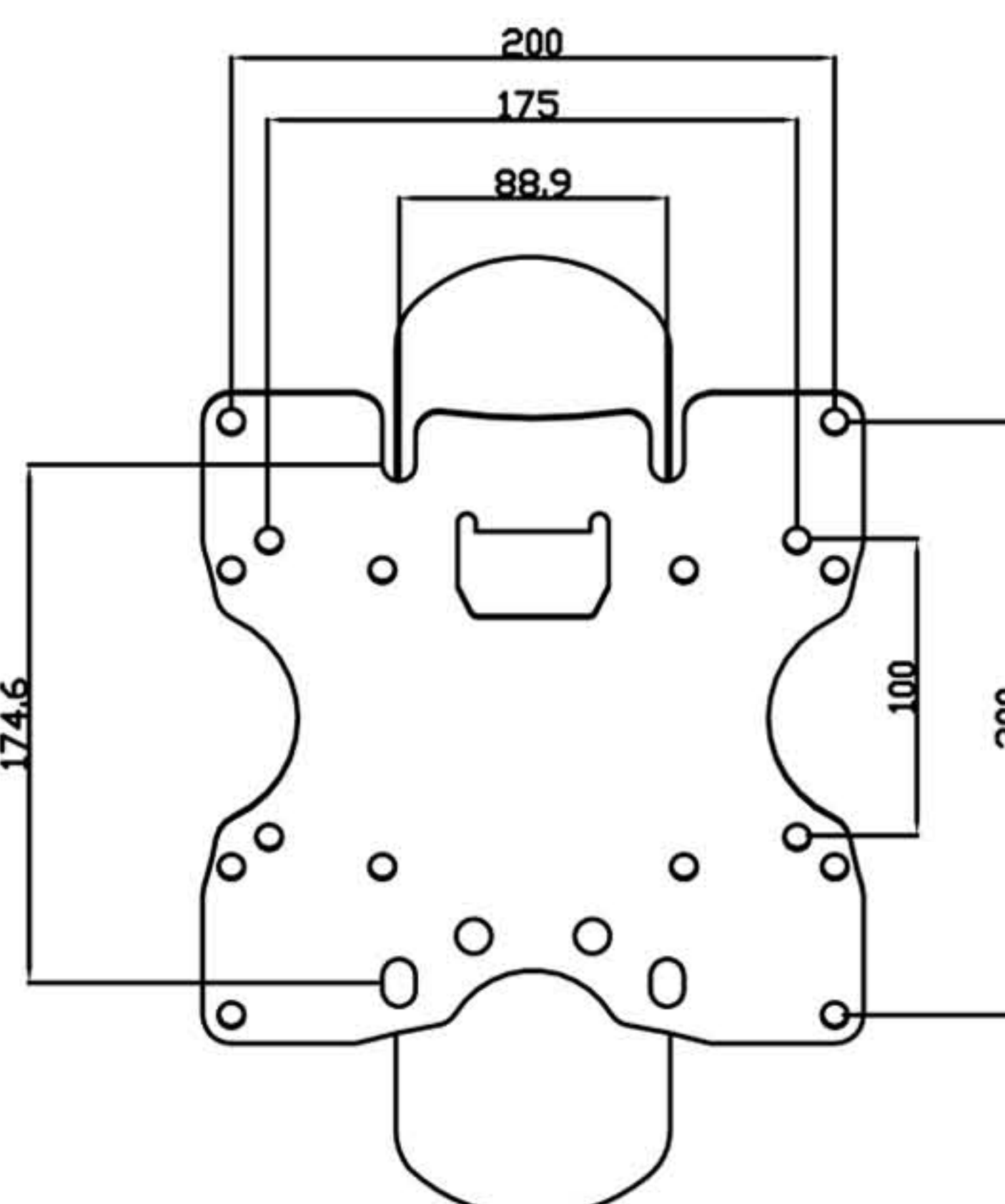
- Extended up to 390mm (15.354")
- Great flexibility and adaptability
- Pre-assembled for ease of installation
- Designed to be mounted on concrete or masonry wall
- VESA compliance
- Installation hardware included
- Integrated cable management system

## DRAWINGS & DIMENSIONS

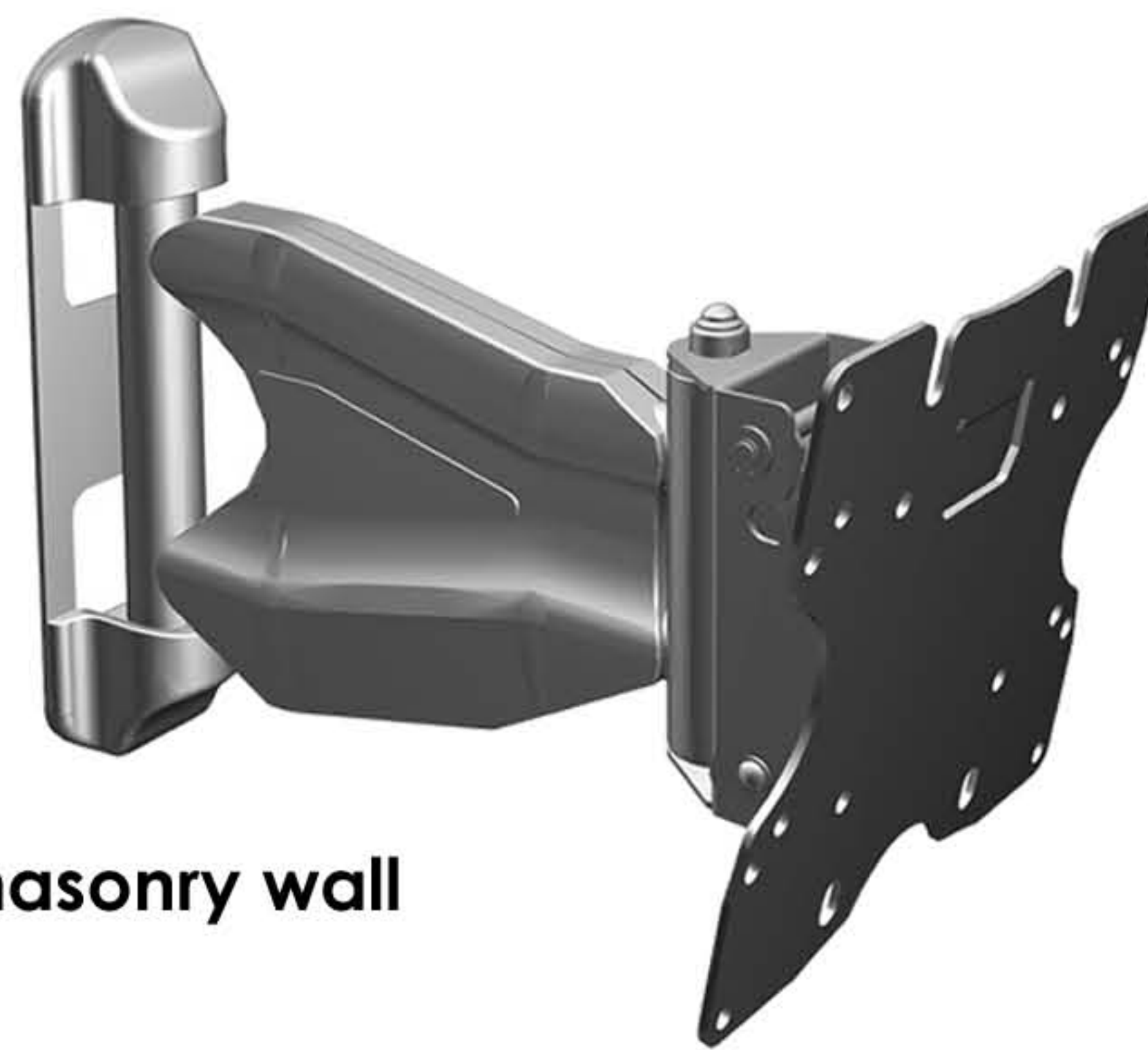


## DIMENSIONS

A	7.87"	200 mm
B	6.89"	175 mm
C	3.5"	88.9 mm
D	7.87"	200 mm
E	3.94"	100 mm
F	3.94"	100 mm
G	6.87"	174.6 mm
H	11.02"	280 mm
I	10.67"	271mm


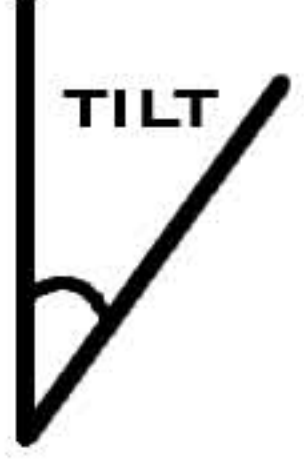

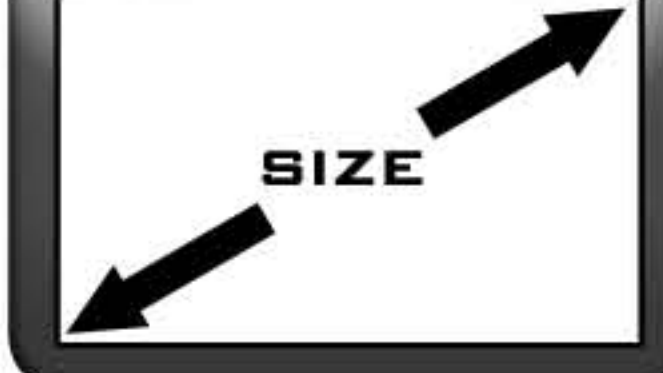

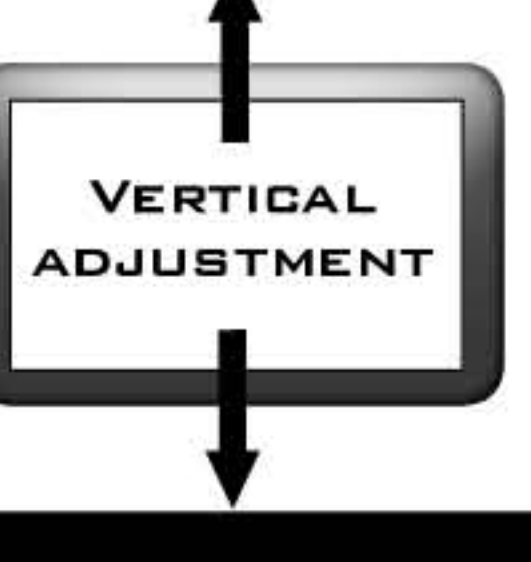

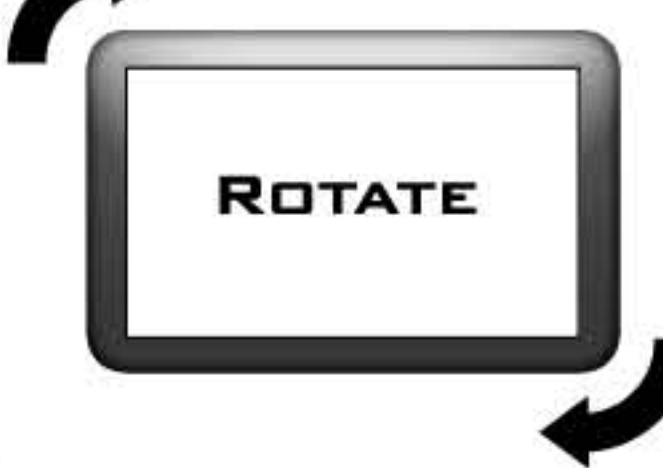

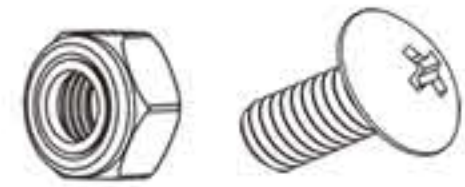


## OPT-CL63-M



## (OPT-CL63-M)

## SPECIFICATIONS

 50KG (121LBS)	 -5 TO +20 DEGREE
 180 DEGREE	 24" TO 37"
 90MM TO 390MM	 N.A
 N.A	 N.A
<b>VESA STANDARD</b> 75 x 75 100 x 100 200 x 100 200 x 200 400 x 200 600 x 400 800 x 400	 COLOR
<b>HIGH-LIGHTED</b>	<b>BLACK / SILVER</b>
 INCLUDED	<b>CABLE MANAGEMENT</b> AVAILABLE

For General Information & Sales Enquires

OPTVIO PTE LTD

Block 20, Woodlands Link #08 - 11  
Woodlands East Industrial Estate  
Singapore 738733

Website: [www.optvio.com](http://www.optvio.com)  
Tel : (65) 62572029  
Fax : (65) 62575829



PRODUCT OF SINGAPORE