

DESK MOUNT ARTICULATING (DMAG-600A)

SPECIFICATIONS

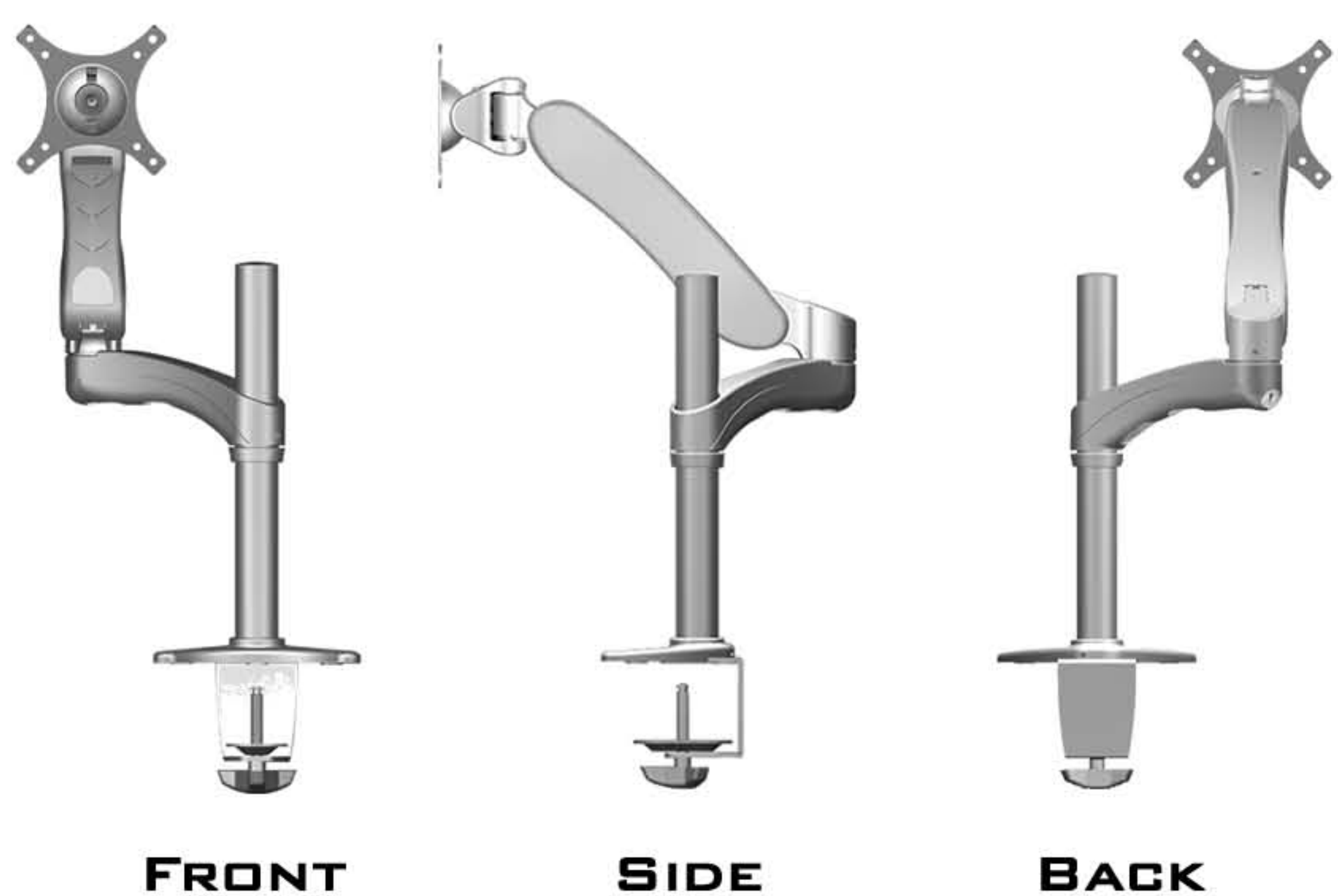
- Compatibility : 14" to 24" Flat Panel Monitor
- Maximum load : 9 KG (19.8 lbs)
- VESA : 75x75 & 100x100
- Height Adjustment : 327 mm (12.87")
- Tilting Angle : +/- 40 degree
- Arm Rotation : 360 Degree
- Arm Length : 600 mm (23.6")
- Color : Black



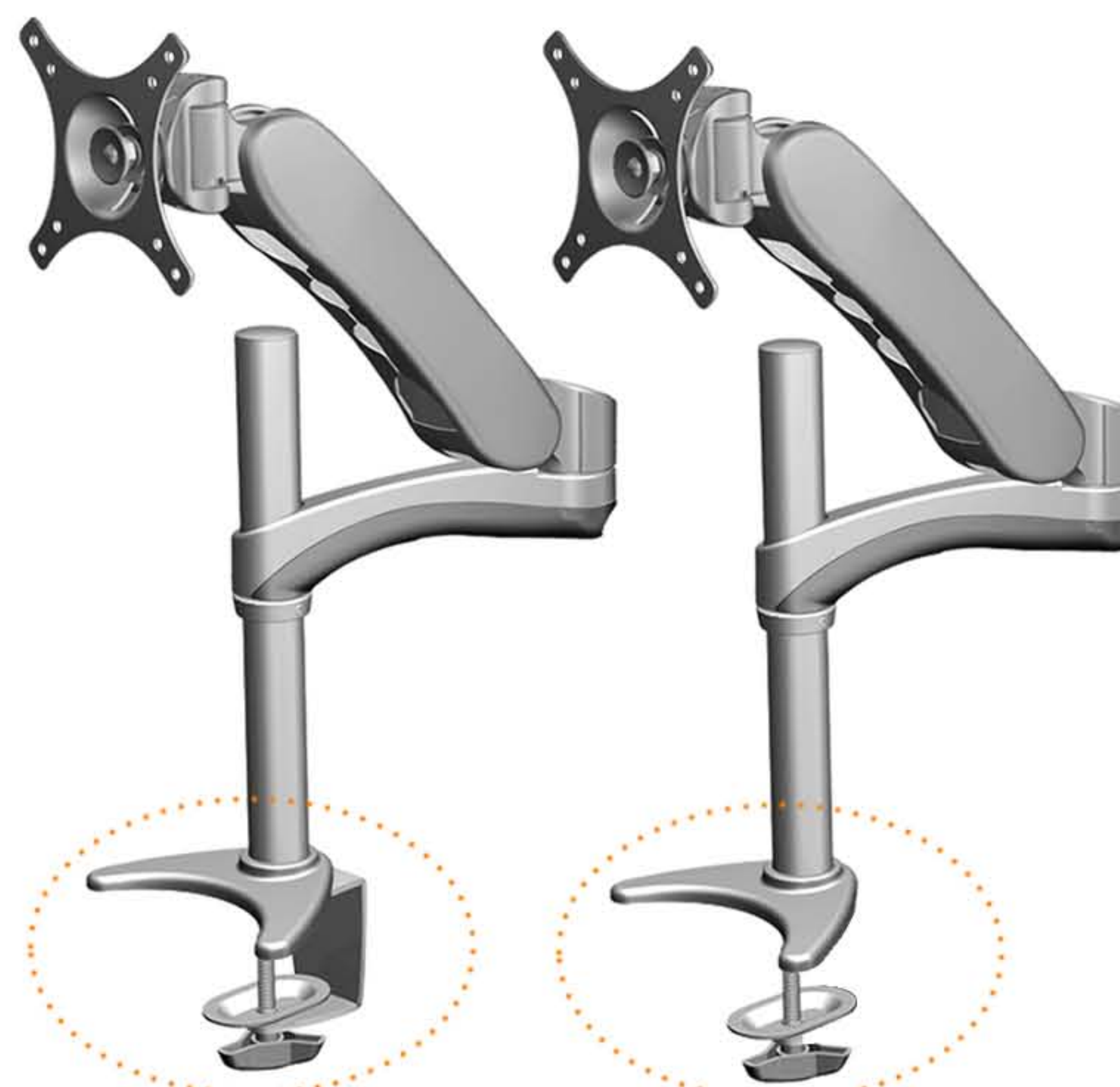
KEY FEATURES

- Extended up to 560mm (22")
- c/w both Side Table Clamping / Grommet Clamping accessories
- Multi-directional adjustment for optimal viewing angle
- Smooth Tilt Adjustment and Extension
- Pre-assembled for ease of installation
- Designed to be mounted on various type of working table
- Strong Die-casting Aluminum Arm
- VESA compliance
- Installation hardware included
- Integrated cable management system

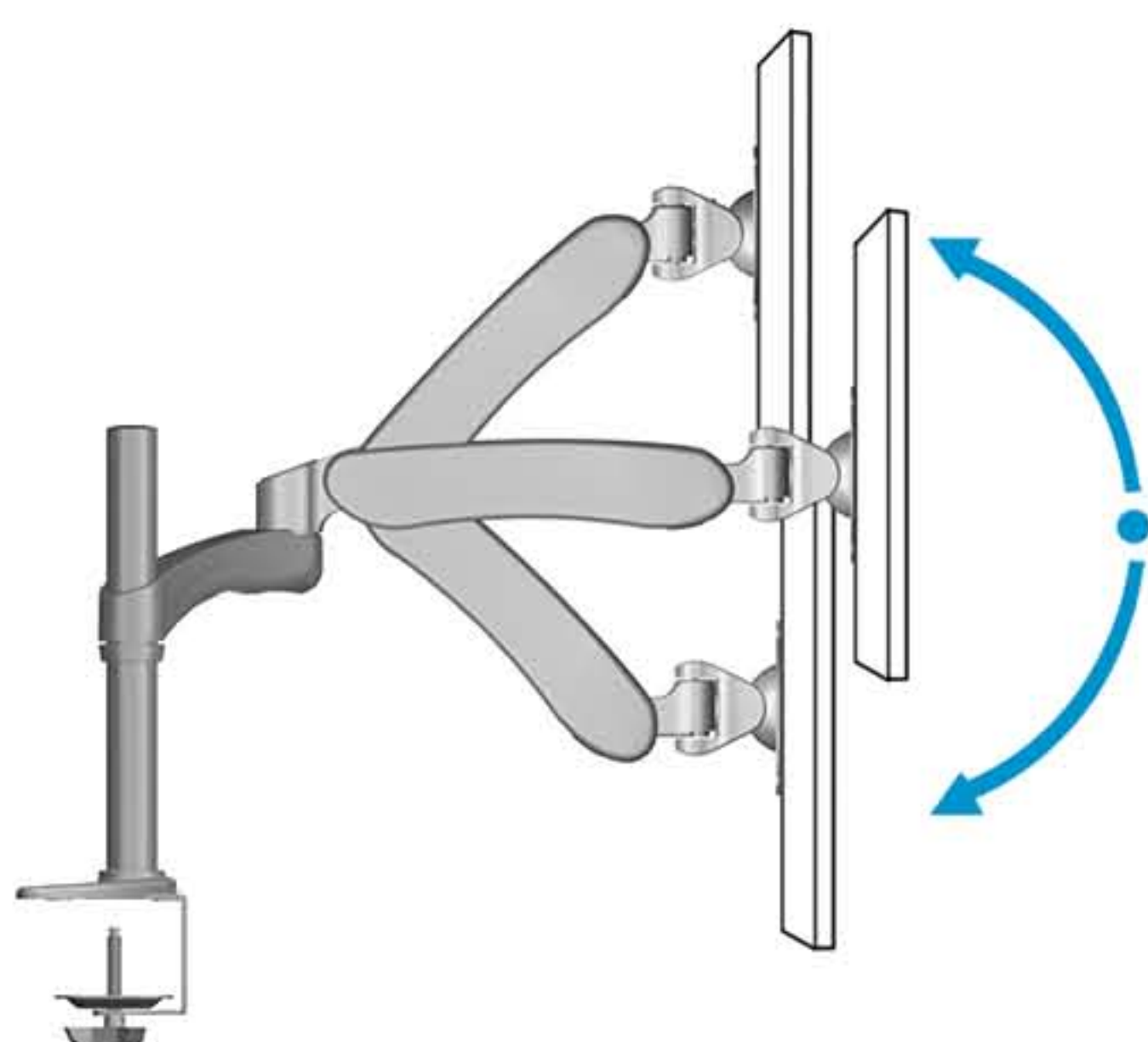
VIEWING ANGLE



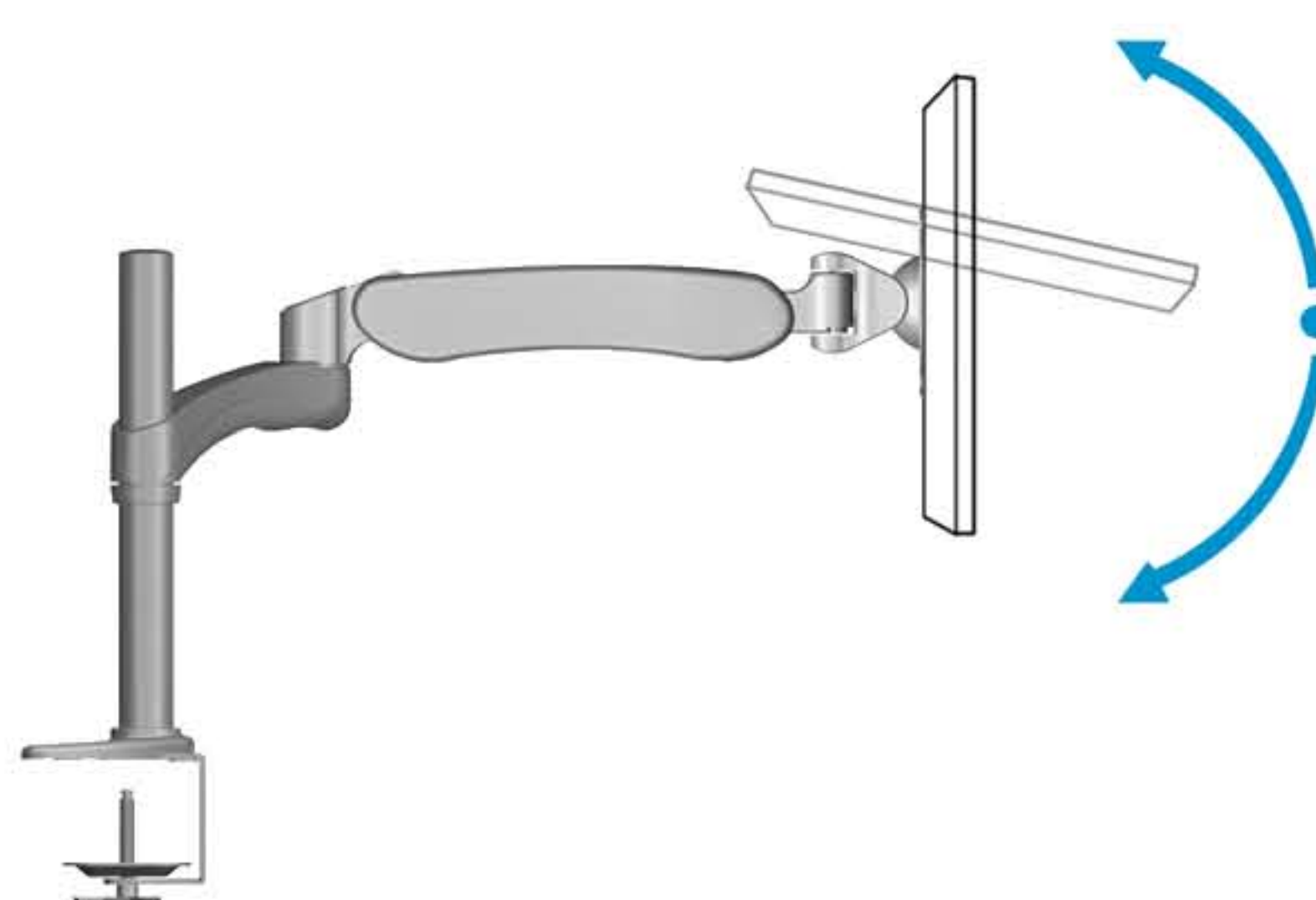
FRONT SIDE BACK



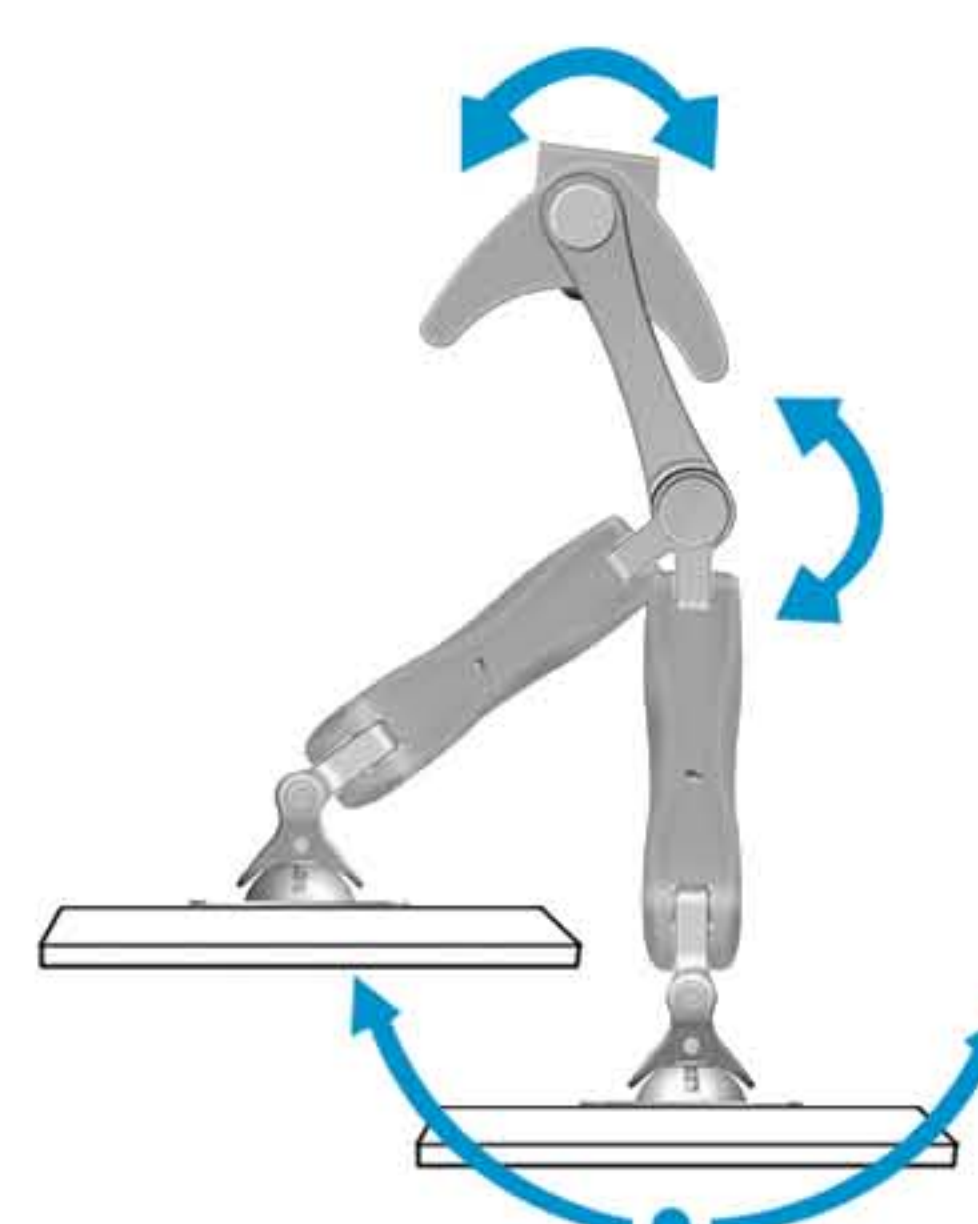
SIDE TABLE CLAMPING GROMMET CLAMPING



HEIGHT ADJUSTMENT




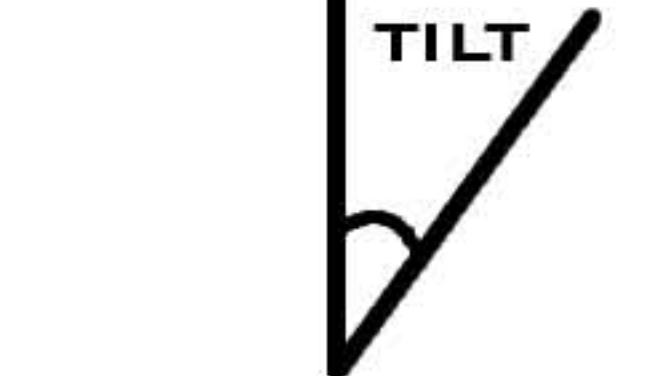
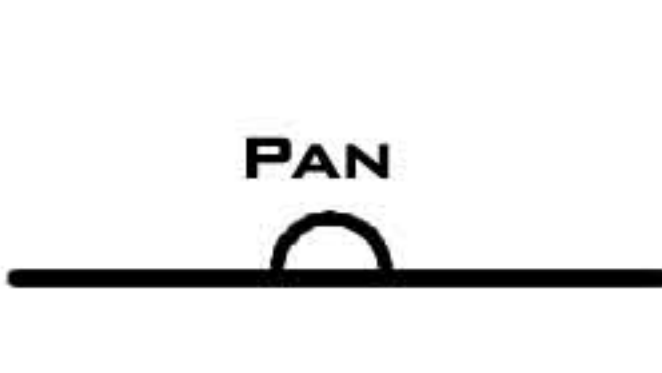
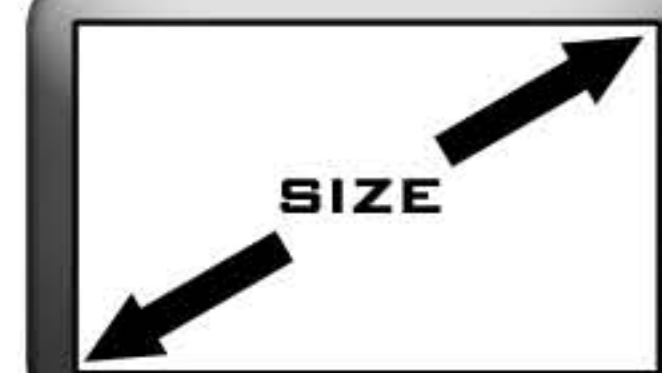
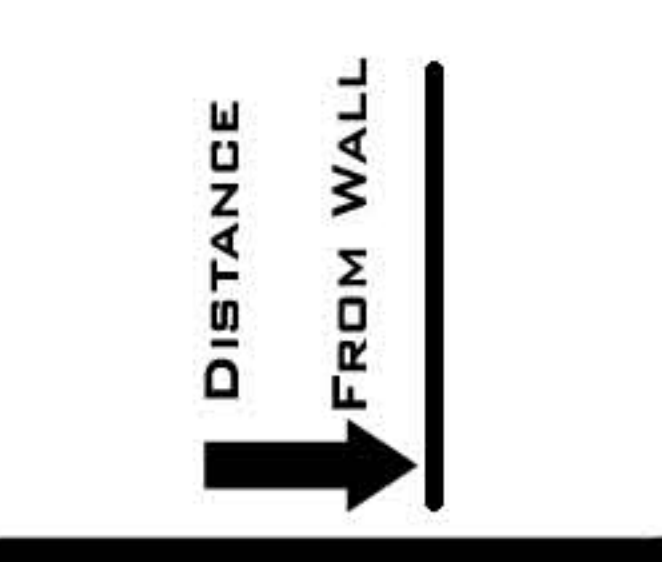
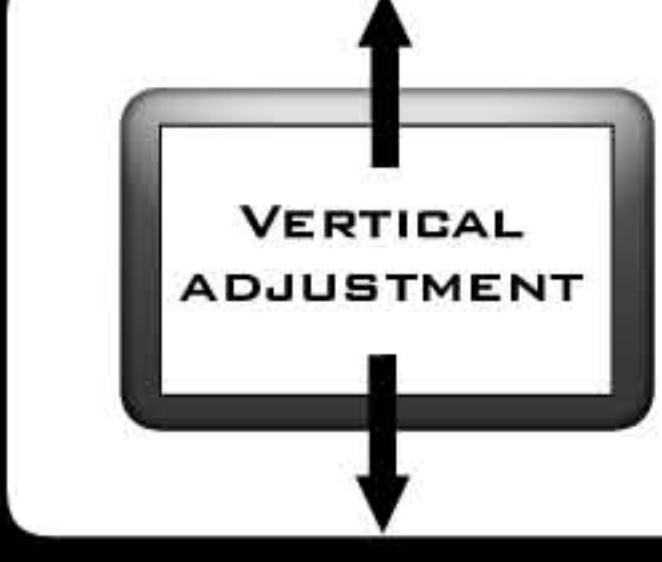



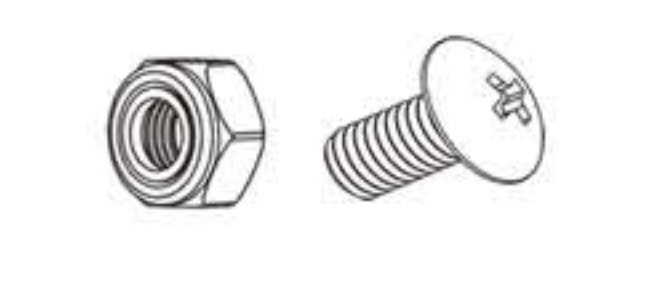

TILT



PAN AND SWIVEL

(DMAG-600A)

SPECIFICATIONS

 LOAD	 TILT
9KG (19.8LBS)	-40 TO +40 DEGREE
 PAN	 SIZE
180 DEGREE	14" TO 24"
 DISTANCE FROM WALL	 VERTICAL ADJUSTMENT
N.A	AVAILABLE
 HORIZONTAL ADJUSTMENT	 ROTATE
AVAILABLE	N.A
VESA STANDARD 75 x 75 100 x 100 200 x 100 200 x 200 400 x 200 600 x 400 800 x 400	 COLOR
HIGH-LIGHTED	BLACK / SILVER
 HARDWARE	 CABLE MANAGEMENT
INCLUDED	AVAILABLE

For General Information & Sales Enquires

OPTVIO PTE LTD

Block 20, Woodlands Link #08 - 11
Woodlands East Industrial Estate
Singapore 738733

Website: www.optvio.com
Tel : (65) 62572029
Fax : (65) 62575829



PRODUCT OF SINGAPORE

DESK MOUNT ARTICULATING (DMA-600A)

DRAWING & DIMENSIONS

